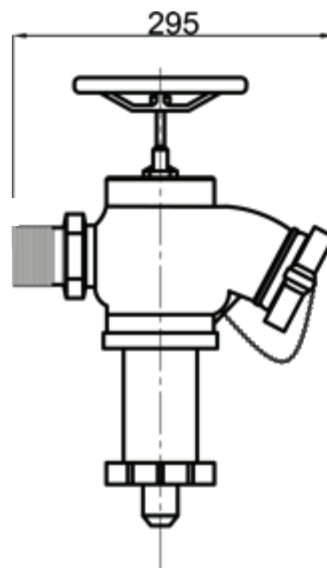


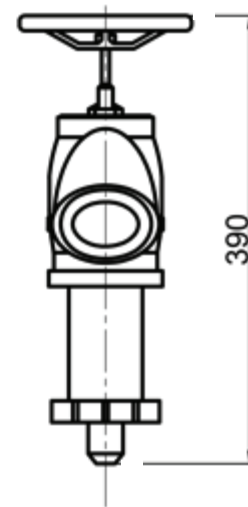
Pressure Regulating Hydrant Valve

The Pressure Regulating Hydrant Valve is suitable for connection to varying high inlet pressure water supply system. This self-regulating valve provide a constant outlet pressure at any hydrant location of the fire protection system to safeguard firemen from inconsistent hose pressure in fire situation.

This self-regulating valve is very suitable for installed in high rise building, oil refineries and off-shore plant. The outlet comply to Vietnam TCVN standard.



SIDE VIEW



FRONT VIEW

Pressure Regulating Hydrant Valve		
Model	Ø2" (50mm) : FOA-1-(50)-B	Ø2" (50mm) : FOA-1-(50)-F
	Ø2½" (65mm) : FOA-1-(65)-B	Ø2½" (65mm) : FOA-1-(65)-F
Inlet	Male BSP Screw Thread	Flange
Outlet	Vietnam Aluminium Connection	
Body	Brass	
Handwheel	Cast Iron	
Sizes	Ø2" (50mm) & Ø2½" (65mm)	
Inlet Pressure	5 to 20 Bar (72.5 PSI to 290 PSI)	
Outlet Pressure	5 to 8 Bar (72.5 PSI to 116 PSI)	
Test Pressure	30 Bar (435 PSI)	

Other standard types of connections such as BS336 instantaneous coupling, etc... are available